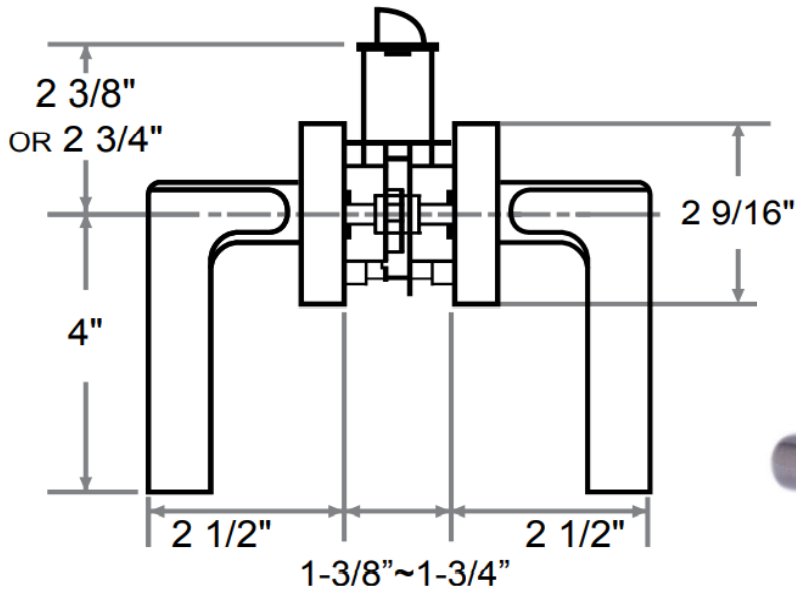


**Transitionale Collection- Philtower Lever**



**STANDARD SPECIFICATION**

<b>Door Prep</b>	Cross Bore: 2-1/8"	<b>Cylinder</b>	N/A
	Edge Bore: 1"		
	Latch Face: 1" x 2 1/4"		
<b>Backset</b>	Fits 2- 3/8" & 2-3/4" Adjustable	<b>Latch</b>	Radius Corner Standard Mortise, 1" throw *Drive-in (non-mortised) available upon request
<b>Door Thickness</b>	1- 3/8"- 1-3/4"		<b>Handing</b>
<b>ANSI/BHMA</b>	A 156.2 Grade III	<b>Material</b>	Zinc
<b>Faceplate</b>	1" x 2-1/4" round(R=.25")	<b>Strike Plate</b>	2-1/4" full lip round(R=.25")
<b>Warranty</b>	* Limited 25 year mechanical warranty, * Limited 5 year finish warranty		

\*Finishes Available -US 10B(Oil-Rubbed Bronze),US 15 (Satin Nickel),US 19 (Black),US6(Chrome)

**FUNCTION**

